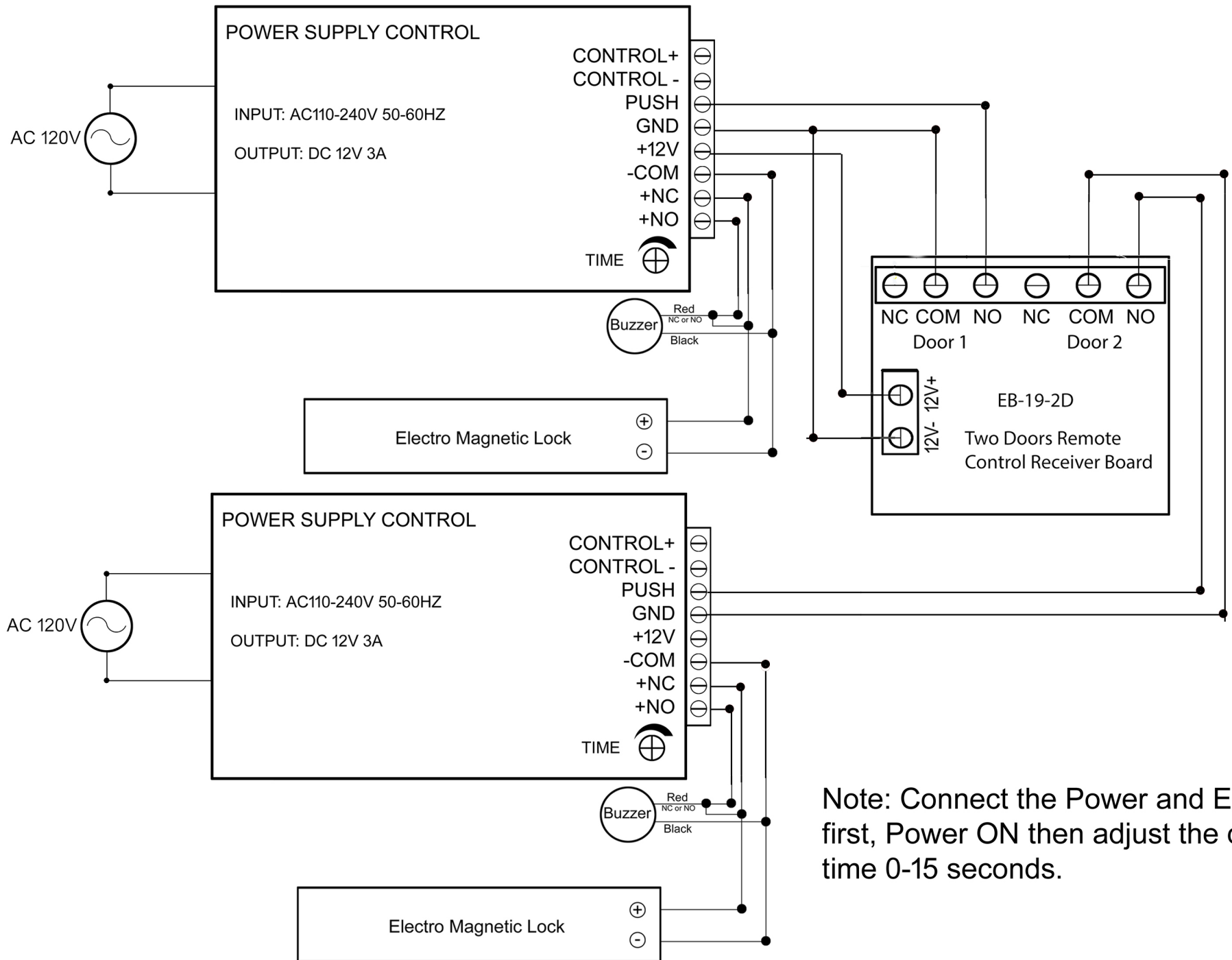


# EB -19-2D Two door remote control+12V DC Power Supply+Magnetic Lock + Buzzer



Note: Connect the Power and E-Lock first, Power ON then adjust the delay time 0-15 seconds.