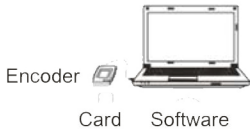
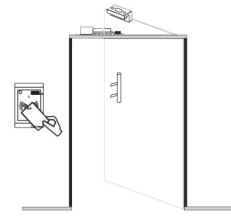


1. Operation Instruction Components of the whole system:



Tips: The accessories shown on left picture are shared with those of lock system.



a. 1 Programming:

If requiring only the hotel card to open it: Swipe the reset card.

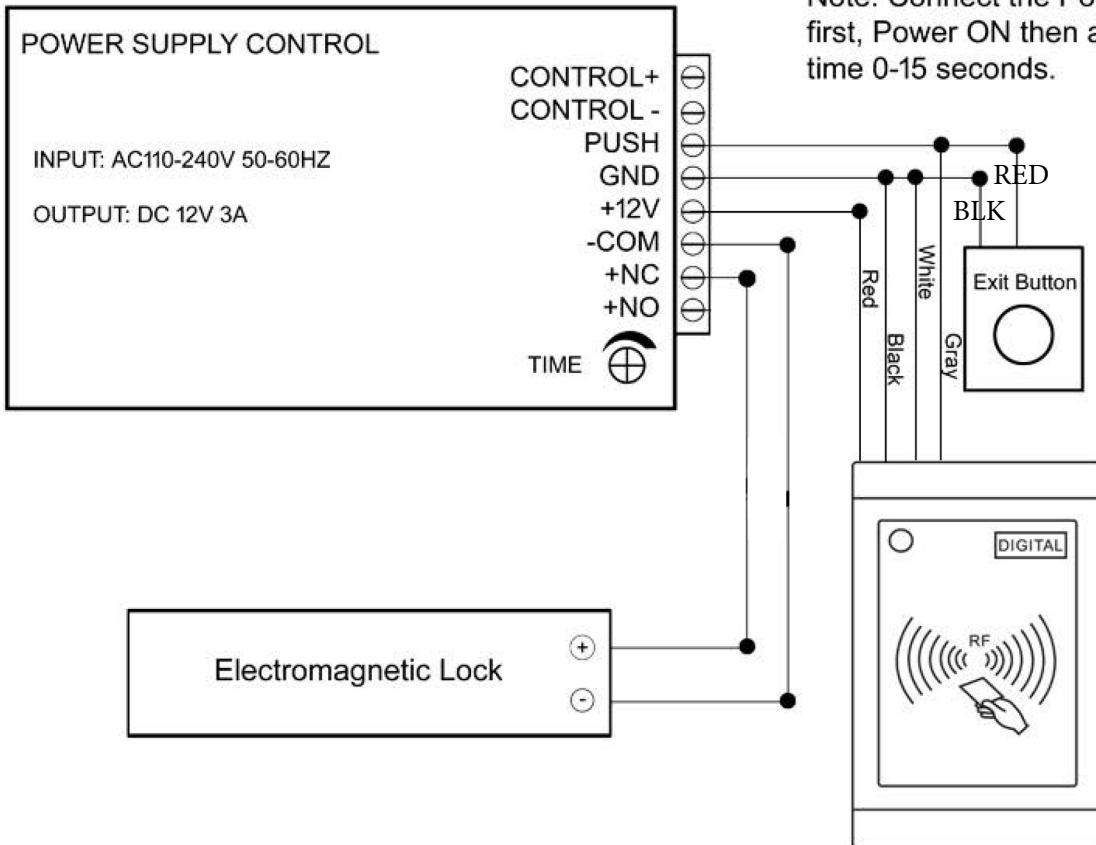
If requiring only the cards of some floor to open it: Swipe the reset card, setting card of this floor and time card.

Note: Set Room 0000 of this floor on software and issue its setting card.

If requiring only the hotel card to open it and expired card cannot open it: Swipe the reset card and time card.

If setting it as a guest room lock: Swipe the reset card, room setting card and time card.

b. 2 Unlocking from outside: Swipe valid open card.



Note: Connect the Power and E-Lock first, Power ON then adjust the delay time 0-15 seconds.

To Program the Common Door Reader Swipe your Reset Card then swipe the Time Card. All valid cards that are issued will be able to access this entrance.