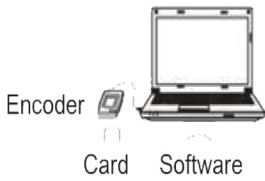
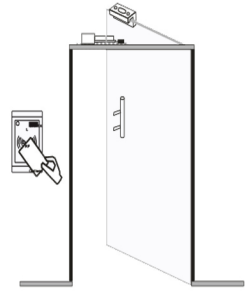


1. Operation Instruction Components of the whole system:



Tips: The accessories shown on left picture are shared with those of lock system.



a. 1 Programming:

If requiring only the hotel card to open it: Swipe the reset card.

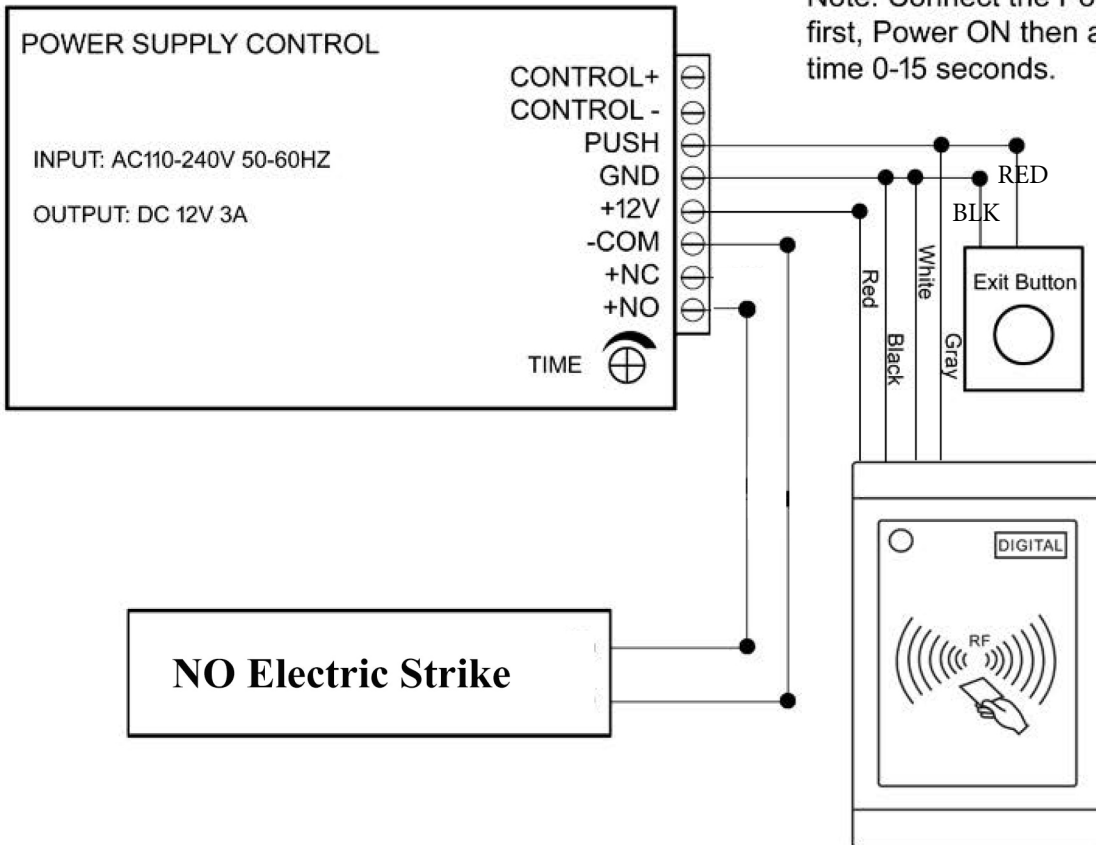
If requiring only the cards of some floor to open it: Swipe the reset card, setting card of this floor and time card.

Note: Set Room 0000 of this floor on software and issue its setting card.

If requiring only the hotel card to open it and expired card cannot open it: Swipe the reset card and time card.

If setting it as a guest room lock: Swipe the reset card, room setting card and time card.

b. 2 Unlocking from outside: Swipe valid open card.



To Program the Common Door Reader Swipe your Reset Card then swipe the Time Card. All valid cards that are issued will be able to access this entrance.