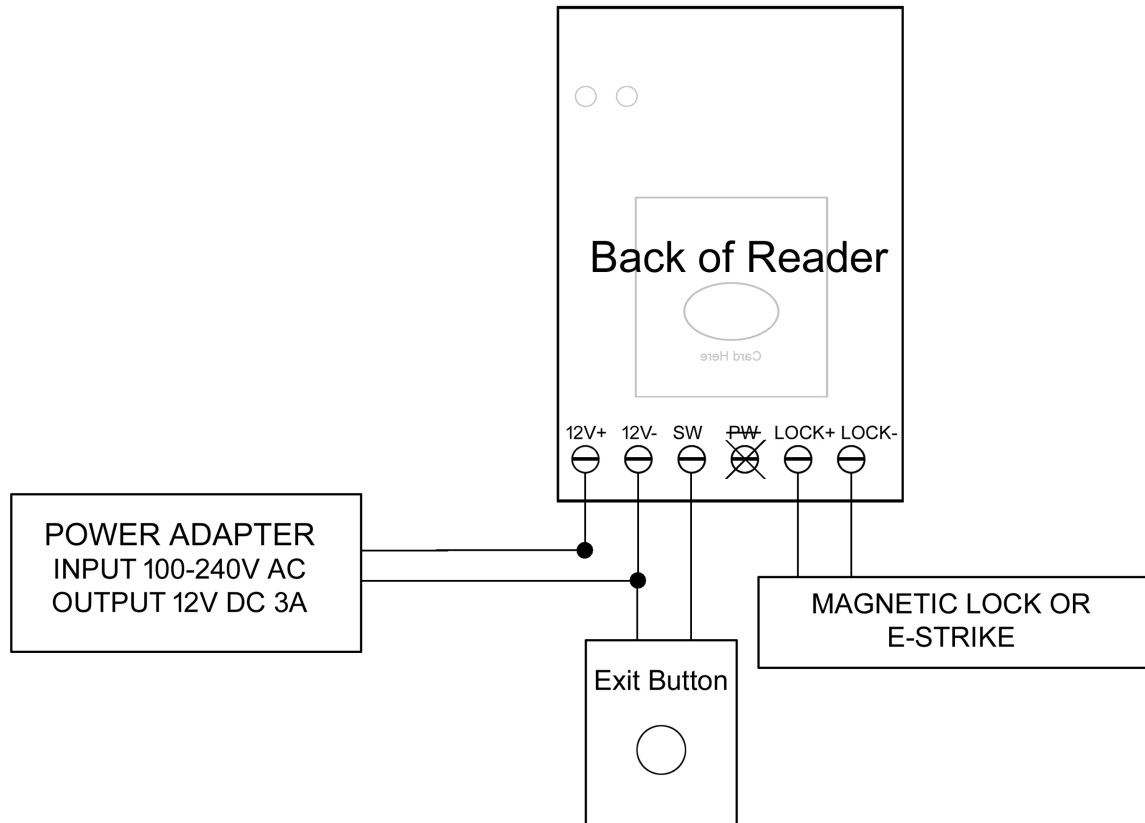


# Common Door Reader Connection Diagram



To Program the Common Door Reader Swipe your Reset Card then swipe the Time Card.  
All valid cards that are issued will be able to access this entrance.