

**BS—H3 Keypad
Access Control User
Manual**

1. Description

This device is a single door multifunction standalone access controller or a Wiegand output reader. It uses Atmel MCU assuring stable performance. The operation is very user-friendly and low-power circuit makes it long service life.

The device support 1000 users (988 common users + 2 panic users + 10 Visitor users.) It supports multi access modes in card access. Wifi APP on the phone , Pin code and Card .It has extra features including block enrollment. Waterproof conforms IP66 .

2. Features

Ultra-low Power	Standby current is less than 30mA
Wiegand Interface	WG26 or WG34 input and output
Searching time	Less than 0.1s after reading card
Backlight keypad	Operate easily at night
Access ways	Card, Pin code, Card & Pin code, APP on the phone.
Independent codes	Use codes without related card
Change codes	Users can change codes by themselves
Delete users by card No.	The lost card can be delete by keyboard

3. Specifications

Working Voltage: DC12-24V	Standby Current: 30mA
Card Reading Distance: 1-3cm	Capacity: 1000 users
Working Temperature: -40C-60C	Working Humidity: 10%-90%
Lock output load: 3A	Door Relay time: 0-99S (Adjustable)

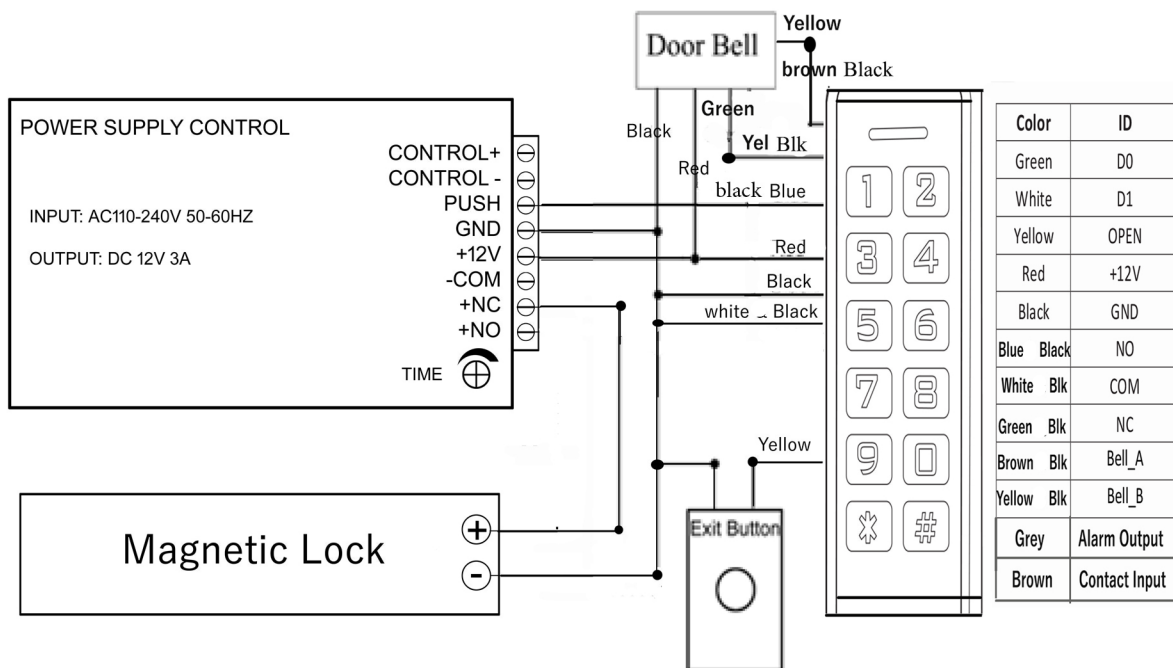
4. Installation

Drill hole according to the size of the device and fix the back shell with the equipped screw . Thread the cable through the cable hole. connect the wires according to your required function , and wrap the unused wires to avoid short circuit. After connecting the wire, install the machine. (as show below)

s. Wiring

Color	ID	Description
Green	D0	Wiegand Input(Wiegand Output in Card Reader Mode)
White	D1	Wiegand Input(Wiegand Output in Card Reader Mode)
Yellow	OPEN	Exit Button input terminal
Red	+12V	12V + DC Regulated Power Input
Black	GND	12V – DC Regulated Power Input
Blue Black	NO	Relay normally-on terminal
White Blk	COM	Common connection for relay output
Green Blk	NC	Relay normally-off terminal
Brown Blk	Bell_A	Doorbell button one terminal
Yellow Blk	Bell_B	Doorbell button to other terminal
Grey	Alarm Output	Negative contact for Alarm
Brown	Contact Input	Door/Gate Contact Input (Normally Closed)

6. Diagram Common Power Supply



7. Sound & Light indication & Master Card Operation

Operate Status	LED Light Color	Buzzer
Standby	Solid Red	
Entering into Programming	Red Light shines	One Beep
Operation Successful	Green	One Beep
Operation Failed		Beep-Beep-Beep
Exit Programming	Red	Beep-
Door Opening	Green	Beep-
Alarm	Red Light shines quickly	Beeps

7.1 Master Card Usage :

Using master card to add or delete users	
Add Pin Code or Card	<ol style="list-style-type: none"> 1. Swipe (Master Card) 2. Scan (Card) or Enter (4-6 Digits Pin Code) Then Press # <p>Repeat Step 2 for additional users.</p> <ol style="list-style-type: none"> 3. Swipe (Master Card) Again to finish
Delete Pin Code or Card	<ol style="list-style-type: none"> 1. Swipe (Master Card) Twice Within 5s 2. Scan the (Card) you want to delete or Enter the (Pin Code) You want to delete. Then Press # <p>Repeat Step 2 for other users .</p> <ol style="list-style-type: none"> 3. Swipe (Master Card) Again to finish
Use Pin Code to Open the Door	Enter (4-6 digits Pin Code) #

8. Advance setting

Add Users		Notes
Change Master Program code	* [Master code] # 0 [New code] # [New code] # *	Default factory master program code 123456 Master program code is any 6 digits
Add card	* [Master code] # 1 [Read card] # ...# *	Cards can be added continuously
Add ID number+card	* [Master code] # 1 [ID number] # [Read card] # *	Add user with specify ID number, easily find and delete. ID number is from 1-987
Add ID number + PIN code	* [Master code] # 1 [ID number] # [4 digits Pin code] # *	ID number is from 1-987 4digits Pin coder + # to open
Delete Users		
Delete card	* [Master code] # 2 [Read card] # *	Cards can be deleted continuously
Delete ID number	* [Master code] # 2 [ID number] # *	When the card is broken or lost, you can delete the user by ID number
Delete ALL users	* [Master code] # 2 [Master code] # *	Delete ALL PIN code & card users except public PIN code.

9. Add Visitor Users :

User ID# is 990-999 . Pin is 4-6 digits except 8888 . There are 10 Visitor Pin Or Card. They can be specified up to 10 times of usage.

1. Enter program mode	
Add Card	* [Master code] # 1 [ID Number (990-999)] # [0-9] (0-9 means times of usage . 0=10 times) # [Read card] # *
Add Pin code	* [Master code] # 1 [ID Number (990-999)] # [0-9] (0-9 means times of usage . 0=10 times) # [Pin code] # *

10. Set Access Mode:

Access ways		
By card	* [Master code] # 4 0 # *	Only the card user could unlock the door, keypad is invalid
PIN code	* [Master code] # 4 1 # *	Only the Pin. user could unlock the door, Card is invalid
By card or PIN code	* [Master code] # 4 3 # *	Both card user and PIN user could unlock the door (factory default)

Relay Output Delay Time And Toggle Mode

Relay Time	* [Master code] # 3 1-99 # *	The Relay time is from 1-99 seconds . Default is 5 seconds
Toggle Mode	* [Master code] # 30 # *	The door will not be locked automatically.To lock the door, the user has to read the card or press the exit Button . Or Enter Pin code again Or use APP manually

11. To Reset to factory default :

Reset to Factory Default	<p>Power off, press the exit button continuously, power on, hearing beep sound twice, the master code has been reset to 123456 , factory default settings are successful.</p> <p>*Registered user data won't be deleted when reset to factory default and master program card will be invalid . You can create a new master program card .</p>
--------------------------	--